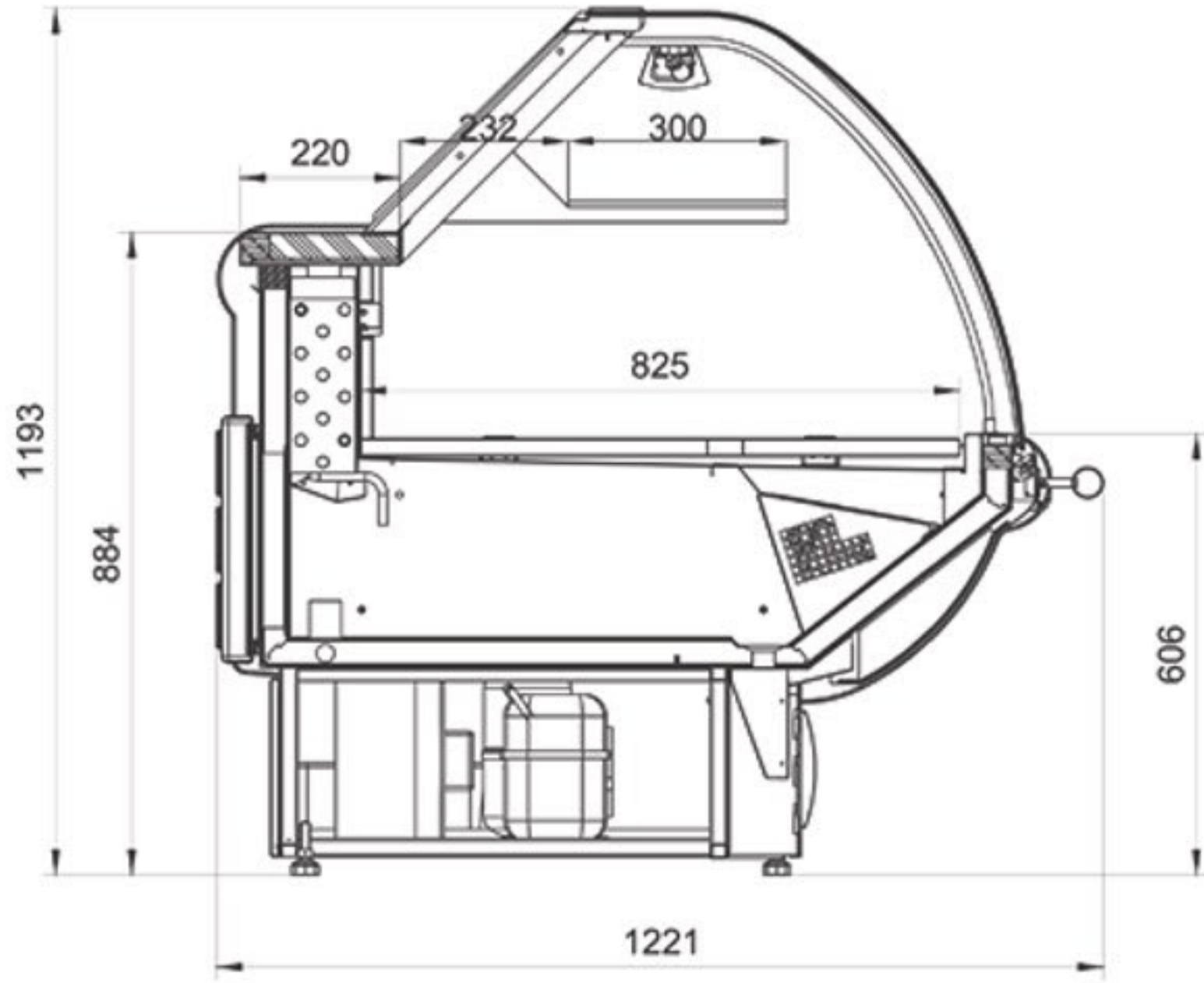


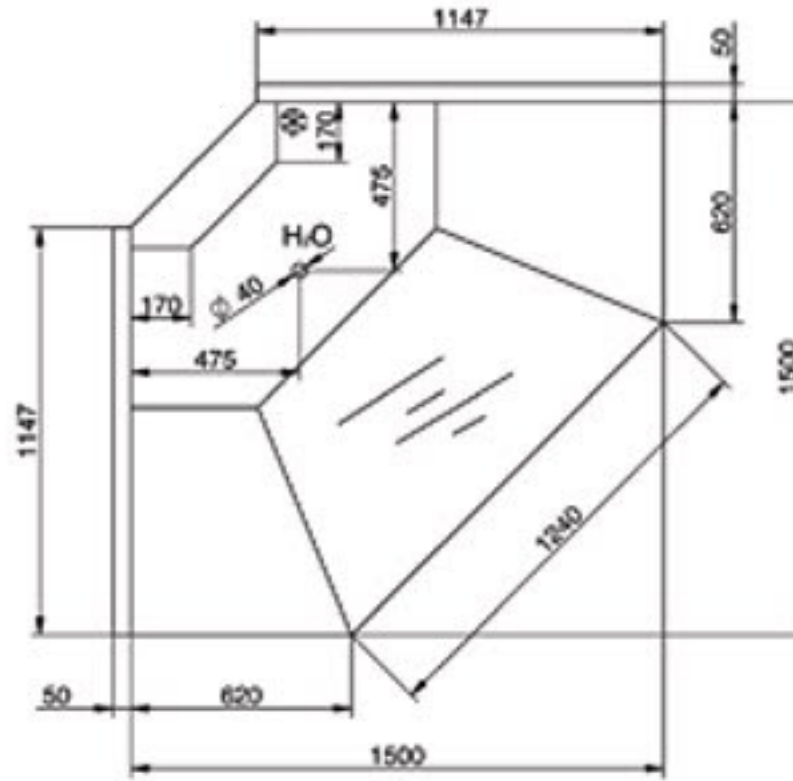
STANDARD FEATURES

- Temperature Range 0 / +4
- Electronic Controller
- Illuminated Display
- Hydraulic Curved Glass
- Fan Assisted
- ABS Side Panels
- Chrome Bumper
- S/steel Worktop
- Expansion Valve
- Electric Defrosting
- S/steel Under storage and Display Deck
- Ambient Intermediate Glass Shelf
- R404A Refrigerant
- Multiplexing requires Kit
- Available as Remote

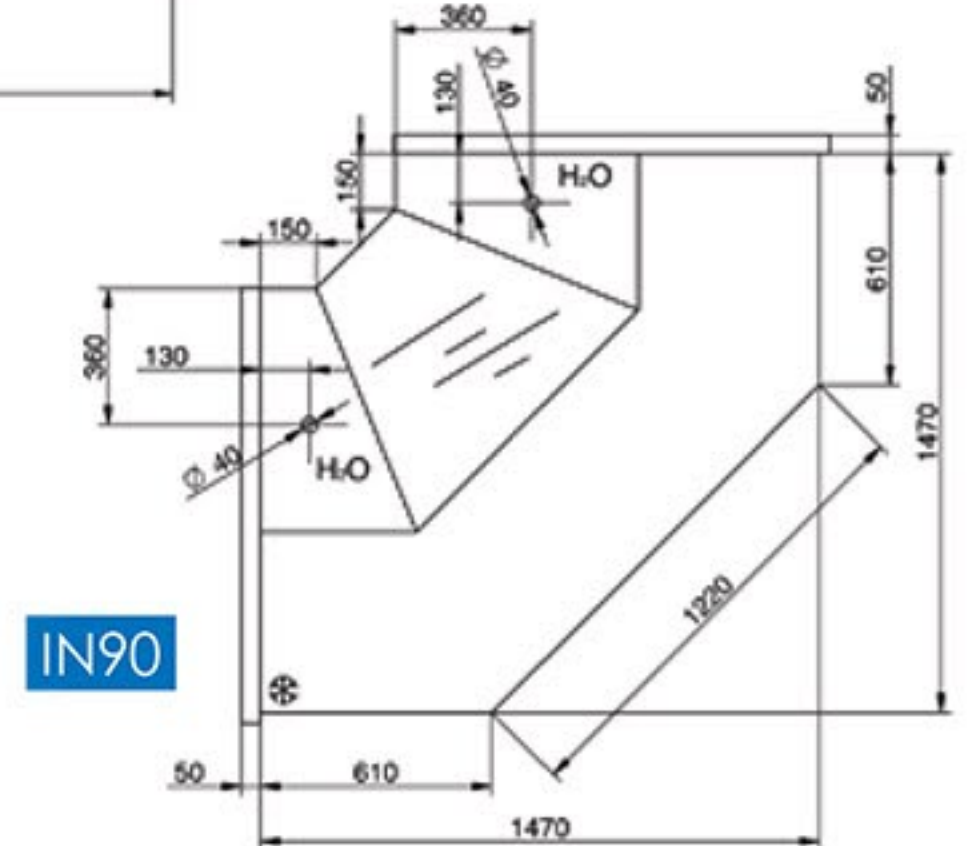


COLOUR OPTIONS

- Flame Red 3000
- Gentian Blue 5010
- Signal Grey 7004
- Signal White 9003
- Mint Green 6029
- Rape Yellow 1021



EX90



IN90

TECHNICAL SPECIFICATIONS

Model	Description	Width	Depth	Height	Power	Weight
TUC125	Serveover	1350mm	1221mm	1193mm	550W	130Kg
TUC187	Serveover	1970mm	1221mm	1193mm	850W	195Kg
TUC250	Serveover	2600mm	1221mm	1193mm	1030W	260Kg
TUC375	Serveover	3850mm	1221mm	1193mm	1555W	390Kg
TUC90I	Internal Corner	SEE DIAGRAM		1193mm	480W	170Kg
TUC90E	External Corner	SEE DIAGRAM		1193mm	395W	170Kg
TUC/CT	Cash Table	1350mm	-	900mm	-	-
TUC/90CT	Cash Table Corner	-	-	900mm	-	-

AVAILABLE AS REMOTE

TUC187



OPTIONAL 2 LEVEL EXPOSITION



OPTIONAL EXTRAS (ACCESSORIES)

Code	Description	Code	Description
TUC/LDIV	Low Perspex Divider	TUC/SCS	Scale Shelf
TUC/HDIV	High Perspex Divider	TUC/CHP	Chopping Block
TUC/MTL	Meat Lighting	TUC/LOW	Low Glass Models
TUC/COL	Custom Colour Paint	TUC/EXP	2 Level Exposition